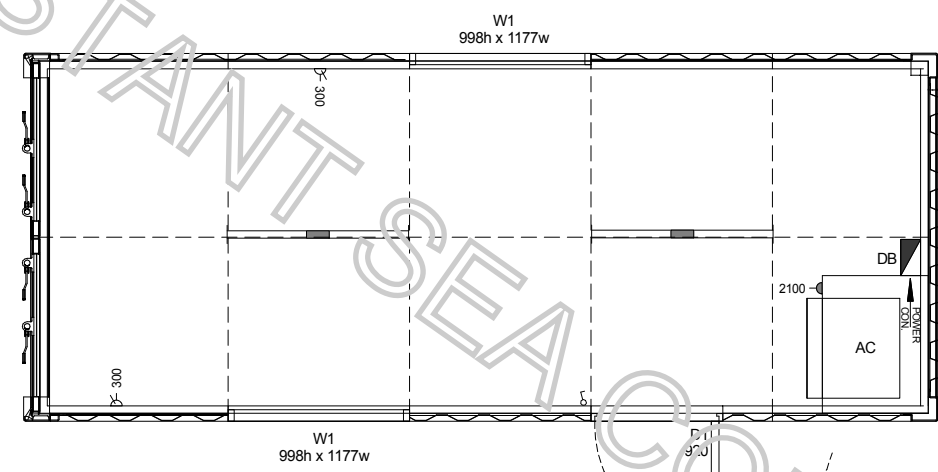


INSTANT SEA CONTAINERS



ELECTRICAL LEGEND	
	CIRCUIT BOARD : DB : POWER . POINT
	LIGHT : 2x36w FLUORESCENT : DIFFUSED
	LIGHT : 2x36w FLUORESCENCE BATTERY B/UP
	LIGHT : 1x18w FLUORESCENT
	LIGHT : 1x18w FLUORESCENT : W/PROOF
	LIGHT : 2x18w FLUORESCENT : W/PROOF
	LIGHT : 1x36w FLUORESCENT
	LIGHT : 1x36w FLUORESCENT : DIFFUSED
	LIGHT : 2x36w FLUORESCENT
	LIGHT : OYSTER FITTING [BAYONET]
	LIGHT : WELL GLASS
	LIGHT : DOWN LIGHT
	LIGHT : EXTERNAL BULKHEAD : W/PROOF
	LIGHT : ILLUMINATED EXIT : MAINTAINED
	LIGHT : WALL : BED LIGHT
	LIGHT : HEATED : BATH RM
	LIGHT : EXTERNAL BULKHEAD : W/PROOF
	SWITCH : LIGHT : DOUBLE
	SWITCH : LIGHT : SINGLE
	SWITCH : LIGHT : TWO WAY
	SWITCH ISOLATOR W/PROOF : HEIGHT AFL
	SWITCH : PHOTO-ELECTRIC : [PE CELL]
	GPO : 10 AMP SINGLE : HEIGHT SHOWN
	GPO : 10 AMP DOUBLE : HEIGHT AFL
	GPO : 15 AMP SINGLE : HEIGHT AFL
	GPO : 15 AMP DOUBLE : HEIGHT SHOWN
	GPO : 20 AMP SINGLE : HEIGHT SHOWN
	GPO : 20 AMP DOUBLE : HEIGHT SHOWN
	GPO : 10 AMP SINGLE : FLOOR MOUNTED
	GPO : 10 AMP DOUBLE : FLOOR MOUNTED
	GPO : 3-PHASE SINGLE : HEIGHT SHOWN
	DATA/PHONE POINT : RJ45 CAT 5E
	DATA/PHONE POINT : RJ45 CAT 6
	TELEVISION POINT : DRAW WIRE ONLY
	HARDWIRED : FIXTURE
	FAN : EXHAUST : WALL MOUNTED
	FAN : EXHAUST : CEILING MOUNTED
	FAN : REVOLVING : CEILING MOUNTED : 1200 Ø
	FAN : OSCILATING : WALL MOUNTED
	FAN : HEATER : WALL MOUNTED
	PATCH PANEL
	ELECTRIC HAND DRYER
	FIRE : SMOKE DETECTOR : HARD WIRED
	FIRE : INDICATOR PANEL
	FIRE : JUNCTION BOX
	FIRE : BREAK GLASS MANUAL ALARM
	FIRE : ALARM BELL
	FIRE : LIGHT : FLASHING STROBE
	FIRE : FIRE EXTINGUISHER
	FIRE : BLANKET
	FIRE : HOSE REEL



Instant Sea Containers Pty Ltd
 PO BOX 1383, WANGARA WA 6947
 Phone (08) 9406-6600
 Fax (08) 9406-6699

www.instantseacontainers.com.au

REV	DESCRIPTION	INIT	DATE
1	ISSUED FOR APPROVAL	SCR	01.05.16

CLIENT:	
LOCATION:	EX-WORKS
TITLE:	20' HC SEA CONTAINER OFFICE

JOB No:		8024	
SHEET:	DRAWN BY:	DATE:	
A3	SCR	01.05.16	
SCALE:	CHECKED BY:	DATE:	
1:50	SCR	01.05.16	
DWG No:	8024-PLN		
ISC-5500-G01-131-0002			

NOTE:
THIS DRAWING IS PROTECTED BY
COPYRIGHT LAWS.
DO NOT SCALE DRAWING.
REF TO DIMENSIONS ONLY.